

APOLLO™ MS-SRX400 INSTALLATION INSTRUCTIONS

Important Safety Information

⚠ WARNING

Failure to follow these warnings and cautions could result in personal injury, damage to the vessel, or poor product performance.

See the *Important Safety and Product Information* guide in the product box for product warnings and other important information.

This device must be installed according to these instructions.

Disconnect the vessel's power supply before beginning to install this product.

Before applying power to this product, make sure it has been correctly grounded according to these instructions.

⚠ CAUTION

To avoid possible personal injury, always wear safety goggles, ear protection, and a dust mask when drilling, cutting, or sanding.

NOTICE

When drilling or cutting, always check what is on the opposite side of the surface to avoid damaging the vessel.

Do not use the stereo as a template when drilling the mounting holes because this may damage the glass display and void the warranty. You must only use the included template to correctly drill the mounting holes.

You must read all installation instructions before beginning the installation. If you experience difficulty during the installation, contact Fusion® Product Support.

What's In the Box

- Mounting gasket
- Mounting template
- Four 8-gauge, self-tapping screws
- Two screw covers
- Power, speaker, line-out, and subwoofer-out wiring harness



Tools Needed

- Phillips screwdriver
- Electric drill
- Drill bit (size varies based on surface material and screws used)
- Rotary cutting tool or jigsaw
- Silicone-based marine sealant (optional)

Mounting Considerations

- You must mount the stereo on a flat surface that provides open airflow around the rear of the stereo for heat ventilation.
- If you are installing the stereo in a location that may be exposed to water, you must mount it within 45 degrees of the horizontal plane.
- If you are installing the stereo in a location that may be exposed to water, add a drip loop to the cable to allow water to drip off of the cable and avoid damage to the stereo.
- If you need to mount the stereo outside a boat, you must mount it in a location far above the waterline, where it is not submerged, and where it cannot be damaged by docks, pilings, or other pieces of equipment.
- To avoid interference with a magnetic compass, you must install the stereo at least 10 cm (3.9 in.) away from a compass.

Mounting the Stereo

NOTICE

Do not use the stereo as a template when drilling the mounting holes because this may damage the display and void the warranty. You must only use the included template to correctly drill the mounting holes.

Be careful when cutting the hole to mount the stereo. There is only a small amount of clearance between the case and the mounting holes, and cutting the hole too large could compromise the stability of the stereo after it is mounted.

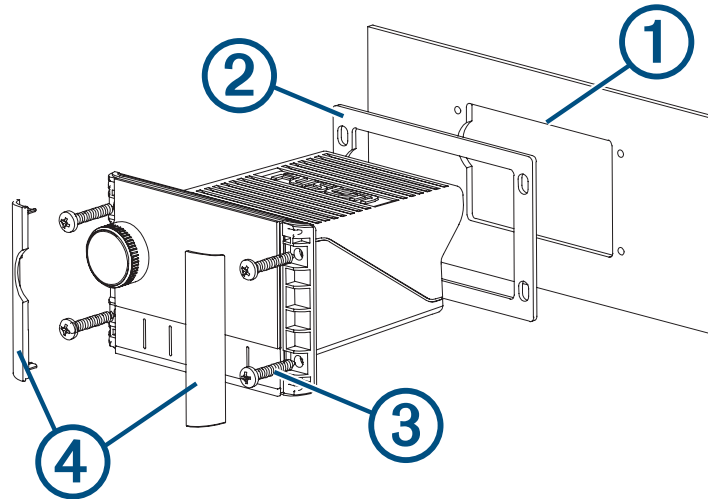
Be careful when installing the stereo in an aluminum boat or a boat with a conductive hull, if you require the electrical system to be isolated from the boat hull.

Do not apply grease or lubricant to the screws when fastening the stereo to the mounting surface. Grease or other lubricants can cause damage to the stereo housing.

Before you can mount the stereo in a new location on the mounting surface, you must select a location in accordance with the mounting considerations.

- 1 Adhere the template to the mounting surface.
- 2 Drill a hole inside the corner of the dashed line on the template.

3 Cut the mounting surface ① along the inside of the dashed line on the template.



4 Ensure the mounting holes on the stereo line up with the pilot holes on the template.

5 Using an appropriately sized drill bit for the mounting surface and screw type, drill the pilot holes.

6 Remove the template from the mounting surface.

7 Complete an action:

- If you are installing the stereo in a dry location, place the included mounting gasket ② on the back of the stereo.
- If you are installing the stereo in a location that is exposed to water, apply silicone-based marine sealant on the mounting surface around the cutout.

NOTICE

Do not install the included mounting gasket if you applied sealant to the mounting surface. Using sealant and the mounting gasket may reduce water resistance.

8 If you will not have access to the back of the stereo after installation, make the necessary wiring connections.

9 Secure the stereo to the mounting surface using the included screws ③.

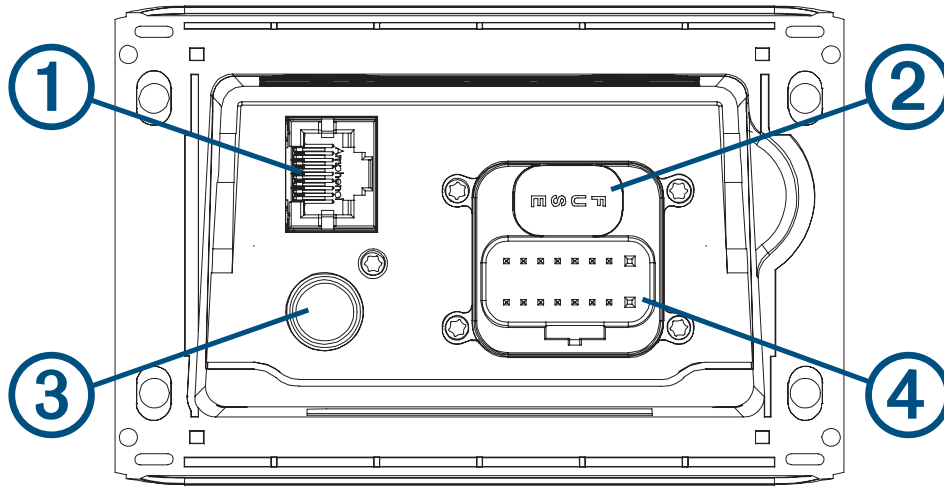
You should hand-tighten the screws when securing the stereo to the mounting surface to avoid over-tightening them.

10 Snap the screw covers in place ④.

Connection Considerations

You must connect the stereo to power, to speakers, and to media input sources. You should carefully plan the layout of the stereo, speakers, input sources, and optional Fusion PartyBus™ devices and Fusion PartyBus network before making any connections.

Port Identification



①	Connects to a Fusion PartyBus stereo or network (<i>Fusion PartyBus Networking</i> , page 10).
② FUSE	Contains the 15 A fuse.
③	Connects to a typical AM/FM antenna. If you are installing the stereo on a boat with a metal hull, you must use a ground-dependent antenna. If you are installing the stereo on a boat with a non-metal hull, you must use a ground-independent antenna. See the installation instructions provided with your antenna for more information.
④	Connects to the wiring harness

Wiring Harness

Wire Function	Wire Color/ Label	Notes
Ground (-)	Black	Connects to the power source (Power Connection, page 6).
Power (+)	Yellow	Connects to the power source (Power Connection, page 6).
Ignition	Red	Connects to the power source (Power Connection, page 6).
Amplifier on	Blue	Connects to an optional external amplifier to turn on the amplifier when the stereo turns on. A connected amplifier must use the same ground (-) as the stereo for this signal wire to function correctly.
Dim	Orange	Connects to the boat's illumination wire to dim the stereo screen when the boat's lights are on. The gauge of the illumination wire must be suitable for the fuse supplying the circuit it is connected to.
Speaker left (+)	White	
Speaker left (-)	White/black	
Speaker right (+)	Gray	
Speaker right (-)	Gray/black	
Line out (left) Line out (right)	ZONE 1 LINE OUT	Provides output to an external amplifier, and is associated with the volume control for zone 1.
Subwoofer out	SUB OUT	Provides a single, mono output to a powered subwoofer or subwoofer amplifier. A connected subwoofer is associated with the volume control for zone 1.

Power Connection

When connecting the stereo to power, you must connect the yellow, red, and black wires to the power source. The yellow and red wires have different functions, and the method you use to connect them to power depends on how you plan to use the stereo on your vessel.

Yellow wire

- This wire provides power to the stereo.
- This wire should be connected through a 15 A circuit breaker, if one is available on the vessel.

NOTICE

If a 15 A circuit breaker is not available on the vessel, you must connect this wire to power through a 15 A fuse (not included).

- This wire provides power to the stereo at all times, and it will drain the battery even when the stereo is not in use. You should install a manual switch on this wire if a 15 A circuit breaker is not available on the vessel, or if you cannot toggle the breaker to remove power to the stereo when storing the vessel.
- If it is necessary to extend this wire, use 14 AWG (2.08 mm²) wire. For extensions longer than 1 m (3 ft.), use 12 AWG (3.31 mm²) wire.

Red wire

- This wire can be connected to the same power source as the yellow wire through the ignition or through a manual switch. This enables you to turn the stereo on and off automatically when you turn the vessel on and off, or when you activate the switch.
- Using this wire to turn the stereo on and off behaves in the same way as using the power button on the stereo to turn it on and off. It is not necessary to connect this wire to a switch if you plan to toggle the power using the power button on the stereo or using a connected chartplotter or remote control. This wire must be connected to turn the stereo on.
- When you turn off the stereo using this switch or the power button, it enters a standby mode that allows the stereo to start up again faster than if you switch the power off using the yellow wire. When it is in standby mode, the stereo uses up to 200 mA, and you must turn off power to the stereo on the yellow wire through the circuit breaker or manual switch when you are not using the vessel to avoid draining the battery.

NOTICE

You must connect this wire to power through a 1 A fuse (not included), whether or not you connect it to the ignition or manual switch.

- If it is necessary to extend this wire, use 22 AWG (0.33 mm²) wire.

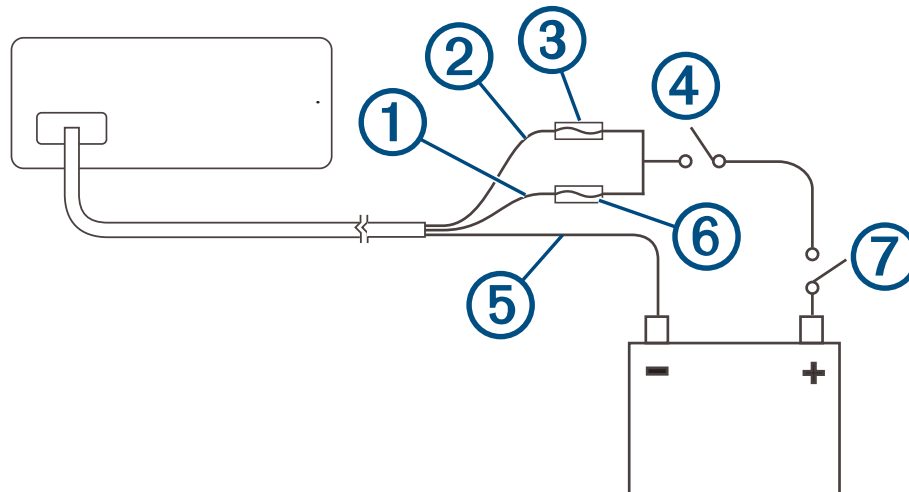
Black wire

- This is the ground wire, and you must connect it to the negative terminal of the power source or to a common ground.
- If it is necessary to extend this wire, use 14 AWG (2.08 mm²) wire. For extensions longer than 1 m (3 ft.), use 12 AWG (3.31 mm²) wire.

Connecting to Power Without Using an Ignition Switch

This method of connection is used most often on larger vessels and on vessels with multiple networked stereos and other marine devices. For these installations, a faster startup time is typically less critical, and it is more effective to use the breaker or a dedicated switch on the electrical panel to turn off the stereo and ensure that no unexpected power drain occurs.

1 Consult this diagram to plan the wire connections.



Item	Description	Notes
①	Yellow wire	You should connect this wire to the red wire before you connect both wires to the manual switch or circuit breaker.
②	Red wire	You should connect this wire to the yellow wire so that it does not act as a physical standby switch.
③	1 A fuse (not included)	You must install this fuse on the red wire before you connect the red wire to the yellow wire.
④	Manual switch (optional)	This switch is needed only if a circuit breaker is not available or if it provides a more convenient method of cutting power to the stereo.
⑤	Black wire	Ground (-)
⑥	15 A fuse (not included)	This fuse is required if you are not able to connect to power through a 15 A circuit breaker ⑦.
⑦	15 A circuit breaker	If a circuit breaker is not available, you must connect a 15 A fuse ⑥ on the yellow wire

2 Route all wires to the stereo wiring harness, the circuit breaker or switch, and the power source as necessary.

Do not connect the wiring harness to the stereo until after you have made all of the bare wire connections.

3 Install all of the necessary fuses on the red and yellow wires.

4 Connect the wiring harness to the stereo.

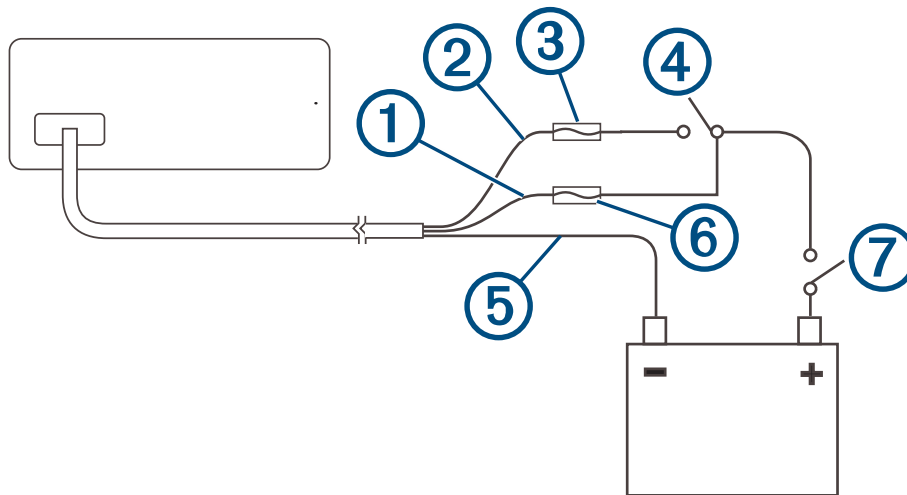
When the circuit breaker or manual switch is closed, the stereo is always on. You can use the power button on the stereo or a connected chartplotter or remote control to place the stereo in a low-power standby mode if needed.

NOTE: When you are not using the vessel, you should remove power to the stereo using the circuit breaker or manual switch to avoid draining the battery.

Connecting to Power Through an Ignition Switch

This method of connection is used most often on ski boats, wake boats, and similar sport or recreational vessels where power to the engines is toggled often. For these installations, a quick standby and faster startup time is desired so that music can be stopped and begin playing again as quickly as possible after restarting the engines. When in standby mode, the stereo uses up to 200 mA, and you should connect the power wires through a circuit breaker or manual switch to avoid draining the battery when you are not using the boat.

1 Consult this diagram to plan the wire connections.



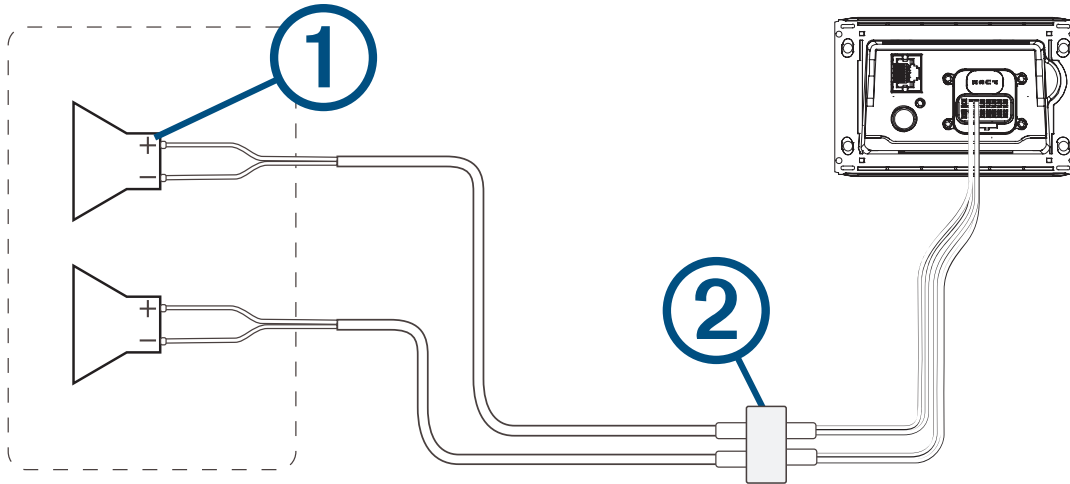
Item	Description	Notes
①	Yellow wire	You must connect this wire to the same power source as the ignition or ACC switch.
②	Red wire	You must connect this wire to the ignition or ACC switch before you connect it to the same power source as the yellow wire.
③	1 A fuse (not included)	You must install this fuse on the red wire before you connect the red wire to the ignition or ACC switch.
④	Ignition or ACC switch	Connecting the red wire to this switch allows the stereo to enter a low-power standby mode when you turn off the engines, so it can start up faster when you turn on the engines again.
⑤	Black wire	Ground (-)
⑥	15 A fuse (not included)	This fuse is required if you are not able to connect to power through a 15 A circuit breaker ⑦.
⑦	15 A circuit breaker or manual switch	If a circuit breaker is not available, you must connect a 15 A fuse ⑥ on the yellow wire. You should also connect the yellow wire to power using a manual switch, so you can remove power to the stereo when you are not using the boat.

- Route all wires to the stereo wiring harness, the ignition or ACC switch, the circuit breaker, and the power source as necessary.
Do not connect the wiring harness to the stereo until after you have made all of the bare wire connections.
- Install all of the necessary fuses on the red and yellow wires.
- Connect the wiring harness to the stereo.

When you turn on the ignition switch, the stereo turns on along with other accessory electronics. When you turn off the ignition switch, the stereo enters a low-power standby mode.

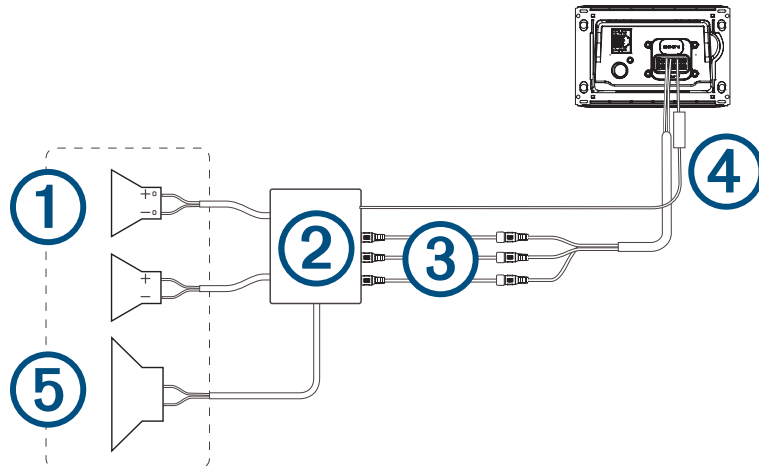
NOTE: When you are not using the vessel for an extended period of time, you should remove power to the stereo using the circuit breaker or other manual switch on the yellow wire to avoid draining the battery.

Speaker System Wiring Using the Internal Stereo Amplifier



①	Speakers
②	Water-tight connection

Speaker System Wiring Using the Line Out



Item	Description
①	Speakers
②	Powered amplifier
③	Line out and subwoofer out The subwoofer cable provides a single mono output to a powered subwoofer or subwoofer amplifier. You may need to use an RCA splitter to connect this to an amplifier.
④	Amplifier-on signal wire A connected amplifier must use the same ground (-) as the stereo for this signal wire to function correctly.
⑤	Subwoofer

NOTE: You can connect speakers to the speaker wires for the internal stereo amplifier while using the line out, although adjusting the volume affects both the speakers connected to the internal amplifier and the line out. This may result in uneven volume levels.

Fusion PartyBus Networking

The Fusion PartyBus networking feature allows you to connect multiple compatible stereos together on a network, using a combination of wired or wireless connections.

You can group a compatible stereo, such as the Apollo RA770 stereo, with other compatible stereos connected to the network. Grouped stereos can share available sources and control media playback on all of the stereos in the group, which allows for a synchronized audio experience across the vessel. You can quickly create, edit, and break up groups as needed from any compatible stereo or remote control on the network.

NOTE: A zone stereo, such as the SRX400, can create or join a group to control and play sources from other stereos, but it cannot share its sources with the group.

For additional considerations when sharing sources, see the owner's manual.

You can use compatible stereos and remote controls, whether they are grouped or not, to adjust the volume of the available speaker zones for any stereo on the network.

You can connect up to eight Fusion PartyBus stereos on a network wirelessly.

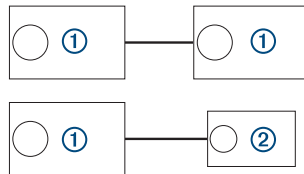
Wired Networking Considerations

When you are planning your network installation, observe the following considerations for all wired connections.

- You must connect devices using standard Cat5e or Cat6 network cables with RJ45 connectors.
- You can use one network cable to directly connect two compatible devices.
- You must use wired network switches and wired or wireless network routers when you connect more than two compatible devices to a network.
- If you install a router on the network, it should be configured to be a DHCP server by default. See your router instructions for more information.
- If you do not install a router, and there are no other DHCP servers on the network, you should configure one Fusion PartyBus stereo to be a DHCP server ([Setting the Fusion PartyBus Device as the DHCP Server, page 15](#)).

Wired Network Example for Direct Connections

No network setting changes are needed when connecting two devices together directly, but for the best results, you should configure one device to be a DHCP server ([Setting the Fusion PartyBus Device as the DHCP Server, page 15](#)).



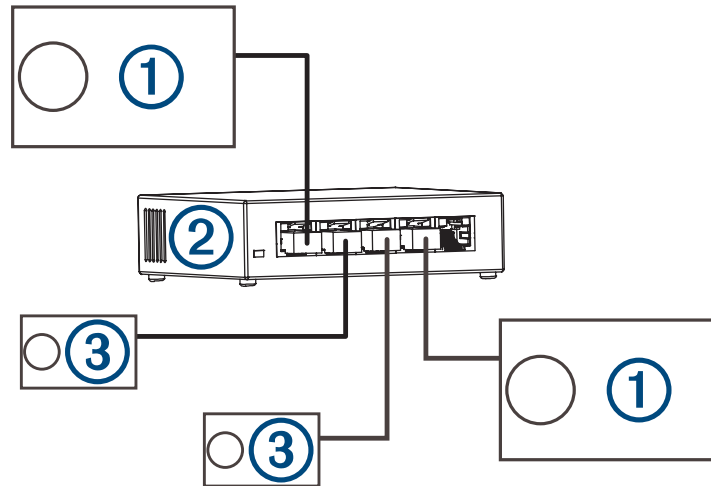
①	Fusion PartyBus stereo
②	Fusion PartyBus zone stereo or remote control

Wired Network Example with a Switch or Router

You must use wired network switches, a wired network router, or both to connect more than two devices.

If you did not install a router, and there are no other DHCP servers on the network, you should configure one Fusion PartyBus stereo to be a DHCP server ([Setting the Fusion PartyBus Device as the DHCP Server, page 15](#)).

If you installed a router, you may need to configure it to be a DHCP server. See your router instructions for more information.



①	Fusion PartyBus stereo
②	Wired network switch or wired network router
③	Fusion PartyBus zone stereo or remote control

Wireless Networking Considerations

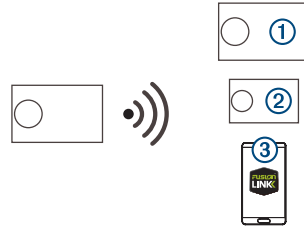
When you are planning your network, observe the following considerations for all wireless connections.

- Wired connections are more reliable than wireless connections. You should plan your network to use network cables, but if it is not possible, many Fusion PartyBus devices are Wi-Fi® compatible. You can connect them to wireless routers or access points.
- If you install a wireless router on the network, it should be configured to be the DHCP server by default. See your wireless router instructions for more information.
- If you are not using a wireless router, you can configure this device as a wireless access point, so you can connect other devices within wireless range.

NOTE: You should not configure this device as a wireless access point if you have a router installed on the network, because it may introduce DHCP conflicts and result in poor network performance.

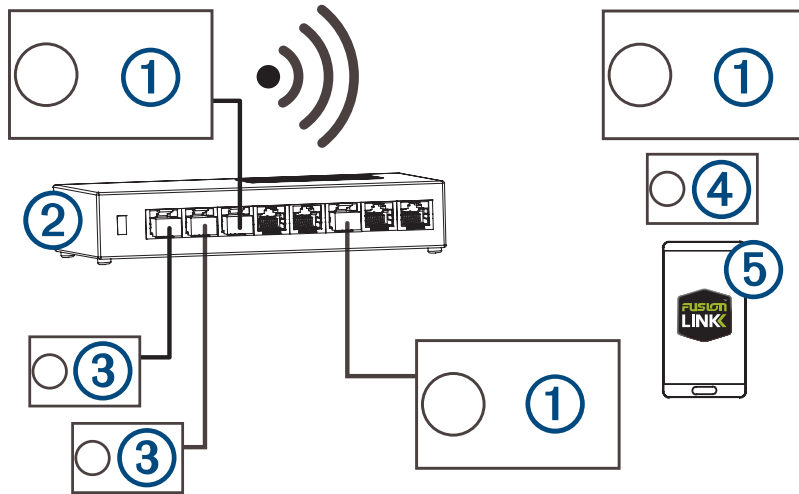
- If you connect a Fusion PartyBus device to the network as a WI-FI CLIENT, you cannot connect any additional wired Fusion PartyBus devices to that device.
- You can connect a smartphone to the wireless network to control any stereo on the network using the Fusion-Link™ app.
- You can connect an Apple® device to the wireless network to stream media to multiple stereos on the network using Apple AirPlay® 2.
- Connecting a Bluetooth® device to the stereo may interfere with some Wi-Fi connections.
- Wi-Fi signals may interfere with Bluetooth device connections. You should turn off the Wi-Fi setting on your stereo if you are not using it to connect to a wireless network or to provide a wireless access point.

Wireless Access Point Example



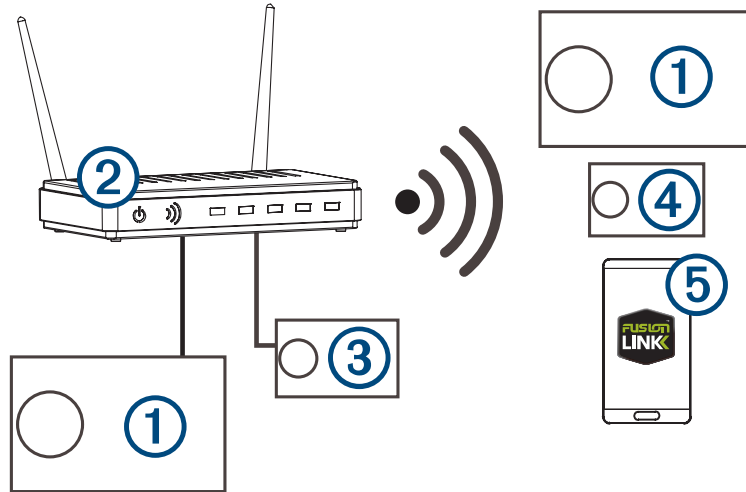
①	Fusion PartyBus stereo
②	Fusion PartyBus zone stereo
③	Smartphone using the Fusion-Link app

Wireless Network Example with a Wired Switch or Router



①	Fusion PartyBus stereo
②	Wired network switch or wired network router
③	Fusion PartyBus zone stereo or remote control
④	Fusion PartyBus zone stereo
⑤	Smartphone using the Fusion-Link app.

Wireless Network Example with a Wireless Router or Access Point



①	Fusion PartyBus stereo
②	Wireless network router or wireless access point
③	Fusion PartyBus zone stereo or remote control
④	Fusion PartyBus zone stereo
⑤	Smartphone using the Fusion-Link app


Constructing a Network

You should have a basic understanding of networking when building a network for Fusion PartyBus devices. These instructions guide you through the basics of building and configuring a network, and should apply to most situations. If you need to perform advanced networking tasks, such as assigning static IP addresses to devices on the network or configuring advanced settings on a connected router, you may need to consult a networking professional.

- 1 Determine the installation location of the Fusion PartyBus devices you want to connect to the network.
NOTE: Wired connections are more reliable than wireless connections. When planning your network, you should run network cables instead of using wireless connections when possible.
- 2 Determine the installation location of any needed network routers or switches.
- 3 Route Cat5e or Cat6 network cable to the installation locations of the stereos, switches, and router.
- 4 Connect the network cables to the stereos, switches, and router.

NOTICE

Do not completely install the stereos yet. You should test the network before you install the stereos.

- 5 Turn on all devices connected to the network, including wireless devices.
- 6 Select an option:
 - If you are using a network router (wired or wireless), consult the documentation provided with your router to configure the router as the DHCP server, if necessary. When using a router as the DHCP server, all stereos on the network should use their default configuration (DHCP client).
 - If you are not using a wireless router, you should configure a stereo as a wireless access point, if necessary ([Setting the Fusion PartyBus Device as a Wireless Access Point, page 16](#)). Configuring a stereo as a wireless access point makes that stereo the DHCP server, and all of the other stereos on the network should use their default configuration (DHCP client).
 - If you are not using a network router, not using a stereo as a wireless access point, and there are no other DHCP servers on the network, you should configure one of the stereos as the DHCP server ([Setting the Fusion PartyBus Device as the DHCP Server, page 15](#)).
- 7 Test the network by selecting  > **GROUPS** to view a list of devices connected to the on the network, and select an option:
 - If any Fusion PartyBus devices are not available to the network, troubleshoot the network ([Network Troubleshooting, page 17](#)).
 - If all Fusion PartyBus devices are available on the network, complete the installation for each stereo, if necessary.

Network Configuration


Setting the Fusion PartyBus Device as the DHCP Server

If you connected more than two network devices together using a network switch or wireless access point but you did not install a router, you should configure only one Fusion PartyBus stereo to be a DHCP server.

NOTICE

Having more than one DHCP server on the network causes instability and poor performance for all devices on the network.

NOTE: If you have set up this stereo as a WI-FI ACCESS POINT, it is configured as a DHCP server by default, and no further settings changes are needed ([Setting the Fusion PartyBus Device as a Wireless Access Point, page 16](#)).

- 1 If the device is connected to the network using an Ethernet cable, select  > **SETTINGS** > **NETWORK** > **WI-FI OFF**.
- 2 If the device is connected to the network using an Ethernet cable, select **STATIC IP** > **SAVE**.
- 3 Select **ADVANCED** > **DHCP SERVER** > **DHCP ENABLED** > **SAVE**.

Configuring the Stereo for use with a Garmin® Marine Network

You can connect this stereo to a Garmin Marine Network in order to view and control the stereo using a compatible Garmin chartplotter.

NOTE: When you configure the stereo for use with a Garmin Marine Network, you are limited to using only Garmin and Fusion devices. You may not be able to use third-party routers, storage devices, or other network products with this stereo directly.

When the stereo is connected to a Garmin Marine Network, you can connect a smartphone to a wireless access point on a connected Garmin chartplotter and use the Fusion-Link app to control the stereo.

You cannot use Wi-Fi networking on a stereo configured for use with a Garmin Marine Network. This functionality is compatible with wired network connections only.

Select  > **SETTINGS** > **NETWORK** > **WI-FI OFF** > **GARMIN MARINE NETWORK**.

Setting the Fusion PartyBus Device as a Wireless Access Point

Before you can connect additional Fusion PartyBus devices or smartphones to a Fusion PartyBus device wirelessly, you must configure one device as a wireless access point. This is not necessary if you installed a wireless router or other wireless access point on the network.

NOTE: You should not configure this device as a wireless access point if you have a router installed on the network. Doing so may introduce DHCP conflicts and result in poor network performance.

For more detailed configuration instructions, see the owner's manual.

1 Select  > **SETTINGS** > **NETWORK** > **WI-FI ACCESS POINT**.

2 Select **USE DEFAULTS** and wait for the device to save the network settings.

NOTE: After the default settings are saved, you can scroll down to the bottom of the NETWORK menu to view and change the SSID and password assigned to the access point.

NOTE: When you configure the stereo as a wireless access point, you can also use the wired network connection without changing any additional settings. The wired and wireless networks are bridged.

Connecting the Fusion PartyBus Device to a Wireless Access Point

You can connect this device to a wireless access point on a router or compatible Fusion PartyBus device on the network. This device can connect using Wi-Fi Protected Setup (WPS), if it is supported by your access point.

1 Select  > **SETTINGS** > **NETWORK** > **WI-FI CLIENT** > **SSID**.

A list of wireless access points within range appears.

2 Select the Fusion PartyBus wireless access point.

3 If necessary, select **PASSWORD**, enter the password, and select .

4 Select **SAVE**.

NOTE: When you connect the stereo to a wireless access point, you cannot use the wired network connection.

Resetting Network Settings

You can reset all network settings for this stereo to the factory default values.

1 Select  > **SETTINGS**.

2 Select **NETWORK** > **ADVANCED** > **RESET** > **YES**.

Advanced Network Configuration

You can perform advanced networking tasks on a Fusion PartyBus device, such as defining DHCP ranges and setting static IP addresses. See the owner's manual for more information.

Network Troubleshooting

If you cannot see or connect to Fusion PartyBus devices on the network, check the following:

- Verify that only one device, either a stereo or a router, is configured as a DHCP server.
- Verify that all Fusion PartyBus devices, network switches, routers, and wireless access points are connected to the network and turned on.
- Verify that wireless Fusion PartyBus devices are connected to a wireless router or wireless access point on the network.

NOTE: Wired connections are more reliable than wireless connections. If possible, you should connect devices to the network using an Ethernet cable.

- You may experience wireless interference if there are many nearby wireless access points. Change the channel on your router or wireless access point to test for and correct interference.
- Connecting a Bluetooth device to a stereo configured as a wireless access point or client may reduce wireless performance. Disconnect Bluetooth devices to test for and correct interference.
- If you configured static IP addresses, verify that every device has a unique IP address, that the first three sets of numbers in the IP addresses match, and that the subnet masks on every device are identical.
- If you have made configuration changes that might be causing networking issues, reset all network settings to the factory default values.

Stereo Information

Specifications

General

Weight	340 g (12.0 oz.)
Water resistance	IEC 60529 IPX7 (front of stereo only, when properly installed)
Operating temperature range	From 0 to 50°C (from 32 to 122°F)
Storage temperature range	From -20 to 70°C (from -4 to 158°F)
Input voltage	From 10.8 to 16 Vdc
Current (max.)	8 A
Current (muted)	Less than 400 mA
Current (off)	Less than 200 mA
Fuse	15 A blade type
Wi-Fi wireless range	Up to 32 m (105 ft.)
Bluetooth wireless range	Up to 10 m (30 ft.)
Wireless frequencies/protocols	Wi-Fi 2.4 GHz @ 15 dBm nominal Bluetooth 2.4 GHz @ 10 dBm nominal
Compass-safe distance	10 cm (3.9 in.)

On-board, Class D Amplifier

Output music power per channel	70 W max. x 2 at 2 ohm per channel
Total output peak power	140 W max.
Output power per channel ¹	2 x 43 W RMS at 14.4 Vdc input, 2 ohm, 10% THD 2 x 26 W RMS at 14.4 Vdc input, 4 ohm, 10% THD

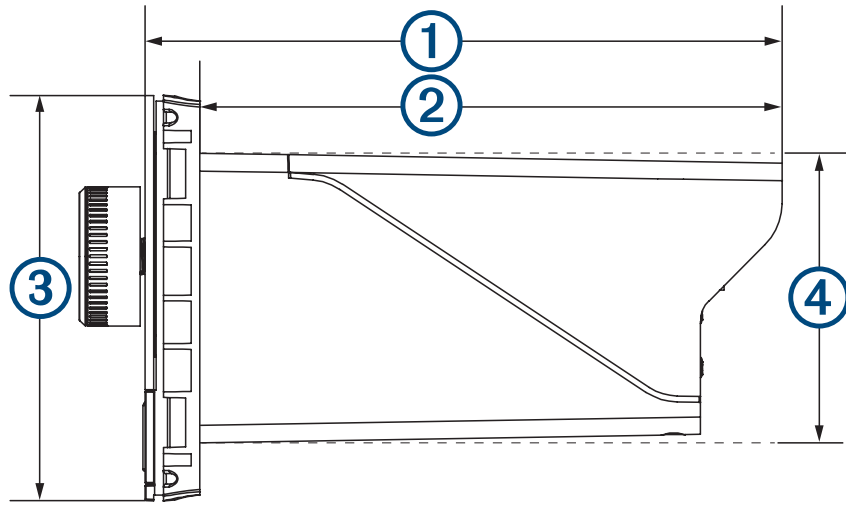
Tuner frequencies

Tuner	Europe and Australasia	USA	Japan
FM radio frequency range	87.5 to 108 MHz	87.5 to 107.9 MHz	76 to 95 MHz
FM frequency step	50 kHz	200 kHz	50 kHz
AM radio frequency range	522 to 1620 kHz	530 to 1710 kHz	522 to 1620 kHz
AM frequency step	9 kHz	10 kHz	9 kHz

¹ The stereo may limit the output power to prevent the amplifier from overheating, and to maintain the audio dynamics.

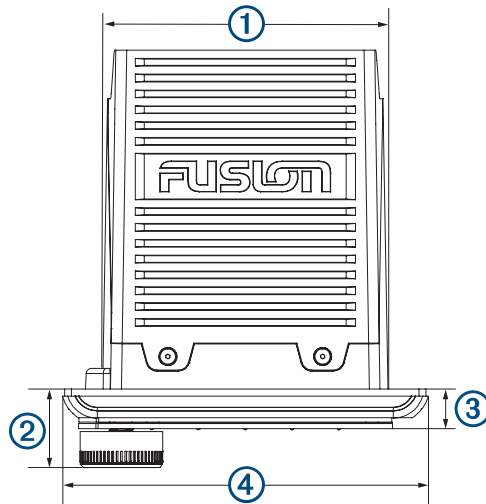
Stereo Dimension Drawings

Side Dimensions



①	110 mm (4.33 in.)
②	100 mm (3.94 in.)
③	70 mm (2.76 in.)
④	50 mm (1.97 in.)

Top Dimensions



①	83 mm (3.27 in.)
②	22 mm (0.87 in.)
③	10 mm (0.39 in.)
④	110 mm (4.33 in.)

Software Updates

Go to support.garmin.com to find software updates and information for your device.

物質宣言

部件名称	有毒有害物质或元素									
	铅	汞	镉	六价铬	多溴联苯	多溴二苯醚	邻苯二甲酸二(2-乙基己)酯	邻苯二甲酸丁苄酯	邻苯二甲酸二丁酯	邻苯二甲酸二异丁酯
印刷电路板组件	✗	○	○	○	○	○	○	○	○	○
屏幕/背光	✗	○	○	○	○	○	○	○	○	○
金属零件	✗	○	○	○	○	○	○	○	○	○
电缆 电缆组件 连接器	✗	○	○	○	○	○	○	○	○	○
塑料和橡胶零件	○	○	○	○	○	○	○	○	○	○

本表格依据 SJ/T11364 的规定编制。

○: 代表此种部件的所有均质材料中所含的该种有害物质均低于 (GB/T26572) 规定的限量

✗: 代表此种部件所用的均质材料中, 至少有一类材料其所含的有害物质高于 (GB/T26572) 规定的限量

* 该产品说明书应提供在环保使用期限和特殊标记的部分详细讲解产品的担保使用条件。



中国微功率无线电发射设备合规

- 一) 工作于 2460 MHz 频段的 ANT 技术无线遥控设备, 使用频率: 2460 MHz, 发射功率限值: 10 mW(e.i.r.p), 频率容限: 75 kHz
- 二) 不得擅自改变使用场景或使用条件、扩大发射频率范围、加大发射功率 (包括额外加装射频功率放大器), 不得擅自更改发射天线;
- 三) 不得对其他合法的无线电台 (站) 产生有害干扰, 也不得提出免受有害干扰保护;
- 四) 应当承受辐射射频能量的工业、科学及医疗 (ISM) 应用设备的干扰或其他合法的无线电台 (站) 干扰;
- 五) 如对其他合法的无线电台 (站) 产生有害干扰时, 应立即停止使用, 并采取措施消除干扰后方可继续使用;
- 六) 在航空器内和依据法律法规、国家有关规定、标准划设的射电天文台、气象雷达站、卫星地球站 (含测控、测距、接收、导航站) 等军民用无线电台 (站)、机场等的电磁环境保护区域内使用微功率设备, 应当遵守电磁环境保护及相关行业主管部门的规定;
- 七) 禁止在以机场跑道中心点为圆心、半径 5000 米的区域内使用各类模型遥控器;
- 八) 微功率设备使用时温度 0-50°C 和电压 10.8-16 Vdc。

© 2018 Garmin Ltd. or its subsidiaries

Garmin®, Fusion®, and the Fusion logo are trademarks of Garmin Ltd. or its subsidiaries, registered in the USA and other countries. Apollo™, Fusion-Link™, Fusion PartyBus™, and True-Marine™ are trademarks of Garmin. These trademarks may not be used without the express permission of Garmin.

Apple®, AirPlay®, and App Store™ are trademarks of Apple Inc. Android™ and Google Play™ are a trademarks of Google Inc. BLUETOOTH® word mark and logos are owned by the Bluetooth SIG, Inc. and any use of such marks by Garmin is under license. Wi-Fi® is a registered mark of Wi-Fi Alliance Corporation. Other trademarks and trade names are those of their respective owners.

M/N: MS-SRX400, A03460

